



ABOUT US

NORDIC Machinery is a custom Plastic Process Equipment Manufacturer. We have more than 20 years of experience in the Plastic Bottle and Blow Molding Industry. We cater to a variety of sectors that require quality and reliable equipment for their most demanding applications. At NORDIC Machinery, every equipment is designed with our customer's best interest in mind. Each Machine is a turn-key project for us wherein we assist our customers with their decision-making process regarding their investment. We truly enjoy training and supporting our customers from beginning to end.

Massimo Di Paola
President
NORDIC Machinery



NORDIC Machinery Products and Services

- Blow Molders
- Downstream Equipment
- Heaters – Sensors – Controls
- Custom Design and Engineering
- Turnkey Project Management
- Training and Support after equipment installation

WWW.NORDICMACHINERY.COM

8985 Robert-Armour, Montreal, Quebec
H1E 6J7 Canada

Tel: 1-888-667-3421 ext. 227 1-
514-881-8136

Fax: 1-514-881-0257

Email: info@nordicmachinery.com



Blow Molders and Downstream Equipment

SPIN TRIMMER DETABBER IMPACT TRIMMER



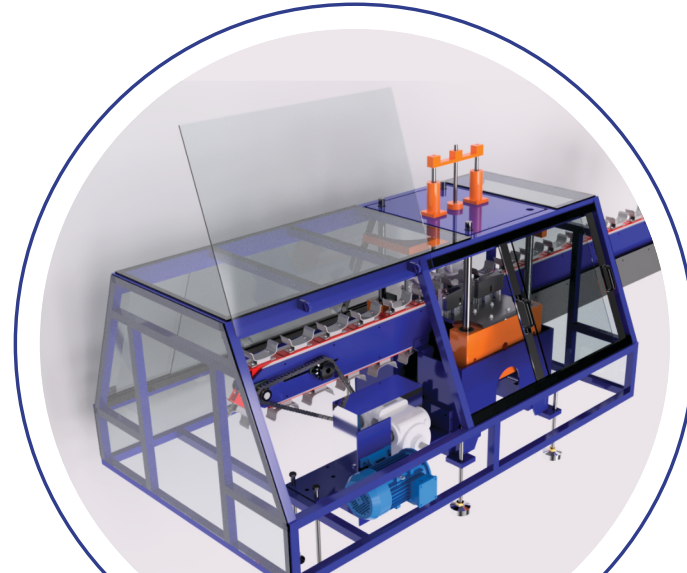
SPIN TRIMMER

NORDIC Machinery manufactures custom spin trimmers that cater to your specific requirements. Engineering will work around your Plastic Bottle configurations for an ideal solution.



DETABBER

NORDIC Machinery Detabbers are designed to be compatible with your current downstream equipment. Engineering will work around your Spin Trimmer's configuration for an ideal solution.



IMPACT TRIMMER

NORDIC Machinery Impact Trimmers are designed for your most demanding applications. We can incorporate a leak Detection device with our trimmers to improve downstream functionality. Buckets can also be supplied if requested.

COOLING BED LEAK DETECTOR BAGGERS



COOLING BED

NORDIC Machinery manufactures and designs cooling beds with speed and reliability in mind. Our cooling beds can operate as standalone units or incorporated directly into your downstream automation production line. Engineering support is guaranteed.

LEAK DETECTOR

NORDIC Machinery manufactures and designs custom Leak Detectors as standalone units or incorporated directly into your automation routine. Engineering support and programming is available. Consult us for your next requirement.



BOTTLE BAGGERS

NORDIC Machinery builds custom Plastic Bottle Baggers that cater to your specific packaging configurations. Engineering will work around your requirements to provide an ideal solution that will improve your productivity.

DEBAGGER SWING ARM ASSEMBLY SPARE PARTS



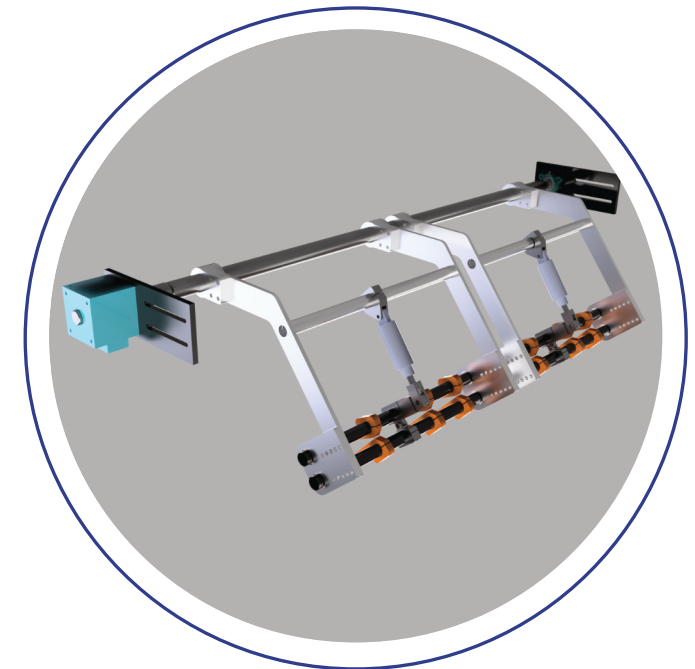
BOTTLE DE-BAGGERS

NORDIC Machinery fabricates custom Plastic Bottle De-baggers. Engineering will work around your specific packaging for an ideal solution that will improve your speed and productivity.



SWING ARM ASSEMBLY

NORDIC Machinery designs and builds various swing arm configurations. We stock many custom and OEM swing arm components. NSI can also repair and provide engineering support for upgrades and retrofitting.



SPARE PARTS

NORDIC Machinery supplies a large variety of spare parts from our extensive inventory. Non-stock items can be custom fabricated directly from our Machine Shop for quick turnarounds. Please consult our Engineering Department.

